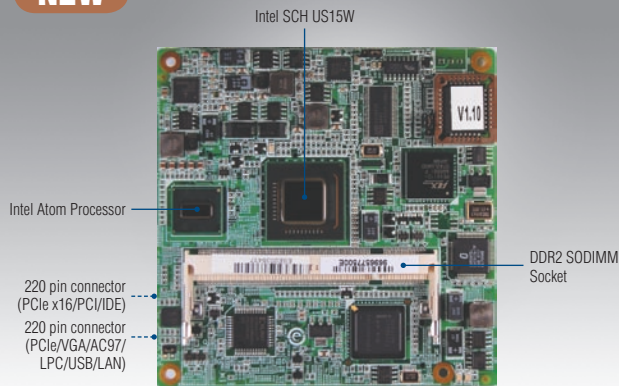


SOM-6760

Intel® Atom™ SCH US15W COM-Micro CPU Module

NEW



Features

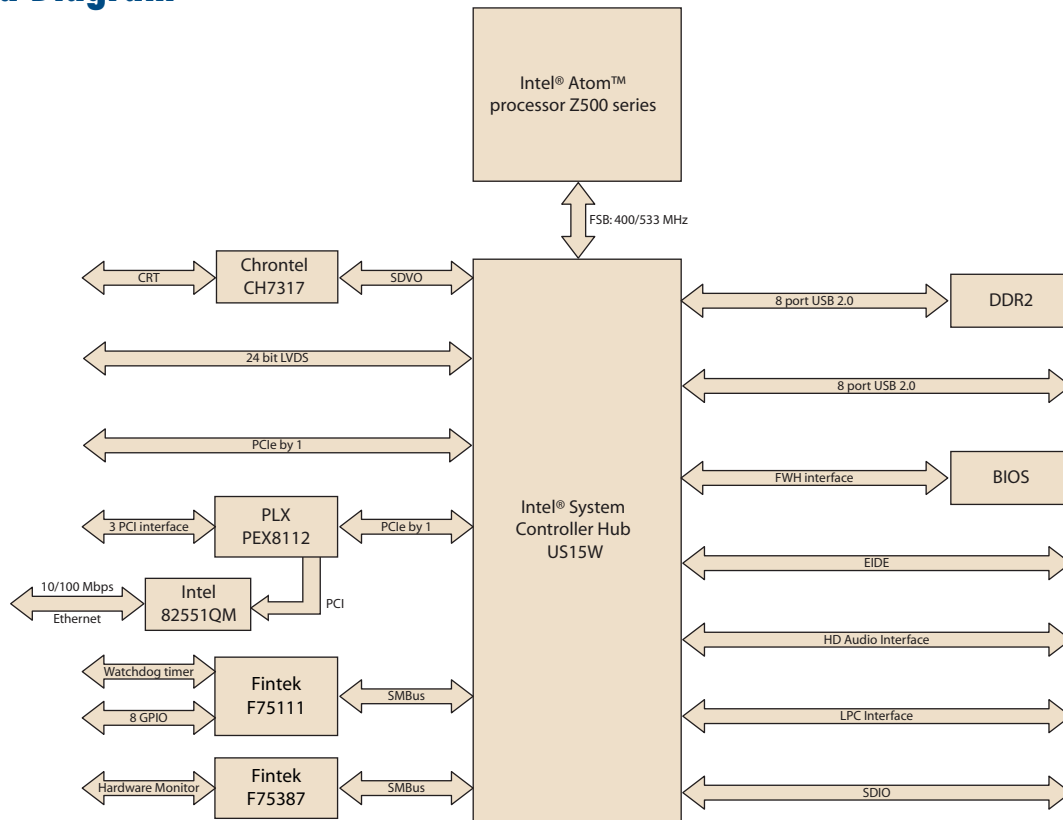
- Intel® Atom™ processor Z510 1.1 GHz, Z530 1.6 GHz
- Intel System Controller Hub US15W
- Supports DDR2 SODIMM up to 2 GB
- Intel Graphics Media Accelerator 500, DirectX 9 H.264, MPEG2, MPEG4, HW decoder
- Display type: 24-bit LVDS/VGA
- Intel 10/100 Mbps LAN
- LPC, 1 PCIe x1, 3 PCI master
- 8 x USB 2.0, 1 EIDE, 8-bit GPIO, SDIO



Specifications

Form Factor	COM-Micro, Module Pin-out Type II	
Processor System	CPU	Intel Atom processor Z510 1.1 GHz, Z530 1.6 GHz
	Front Side Bus	400/533 MHz
	System Chipset	Intel System Controller Hub US15W
	BIOS	AWARD 4 Mbit Flash BIOS
Memory	Technology	DDR2 400/533 MHz, Device widths of x16
	Max. Capacity	up to 2 GB
	Socket	1 x 200-pin SODIMM socket
Display	Chipset	Intel SCH US15W
	VRAM	Shared system memory up to 256 MB
	Graphics Engine	Intel GMA 500
		DirectX 9Ex Support H.264, MPEG2 and MPEG4 hardware decoder
	LCD	24-bit single channel LVDS
	VGA	Up to 1600 x 1200 @ 24-bit
	SDVO	SDVO Port is alternative by VGA function
Dual Display	CRT + LCD	
Ethernet	Chipset	Intel 82551QM 10/100 Mbps Ethernet
	Speed	10/100 Mbps IEEE 802.3u 100 Mbps Fast Ethernet
WatchDog Timer	256 timer intervals, from 0 to 255 sec. or min, setup by software, jumperless selection, generates system reset	
Expansion	LPC, 1 PCIe x1, 3 PCI master, 4-bit SDIO1.1	
I/O	PATA	1 x EIDE (UDMA 100)
	USB	8 x USB 2.0
	Audio	High definition audio interface
	GPIO	8-bit GPIO
	Power Type	ATX, AT
Power	Power Supply Voltage	+12 V, +5V_SB for ATX, +12V and +5V(+5V connecting to +5 VSB) for AT
	Power Consumption (Typical)	Typical: (1 GB DDR2 667)
		+12 V @ 0.477A, 5VSB @ 0.455A (Intel Z510 1.1 GHz) +12 V @ 0.477A, 5VSB @ 0.453A (Intel Z530 1.6 GHz)
	Power Consumption (Max, test in HCT)	Max: (1 GB DDR2 667)
+12 V @ 0.769A, 5VSB @ 0.456A (Intel Z510 1.1 GHz) +12 V @ 0.898A, 5VSB @ 0.456A (Intel Z530 1.6 GHz)		
Environment	Operating Temperature	0 ~ 60° C (32 ~ 140° F)
	Operating Humidity	0% ~ 90% relative humidity, non-condensing
Mechanical	Dimensions	95 x 95 mm (3.74" x 3.74")

Board Diagram



Ordering Information

Part No.	CPU	L2 Cache	Chipset	LVDS	VGA	SDVO	10/100 LAN	HD Audio	PCIe x 1	PCI	USB 2.0	LPC	SMBUS	ATX Power	AT Power	Thermal Solution	Operating Temp.
SOM-6760FL-S1A1E	ATOM Z510 1.1 GHz	512K L2	Intel SCH US15W	24-bit	Yes	See Note 1	1	Yes	1	3	8	1	1	Yes	Yes	Passive	0 - 60° C
SOM-6760FL-S6A1E	ATOM Z530 1.6 GHz	512K L2	Intel SCH US15W	24-bit	Yes	See Note 1	1	Yes	1	3	8	1	1	Yes	Yes	Passive	0 - 60° C

Note 1 — SDVO Port is alternative by VGA function

Development Board

Part No.	Description
SOM-DB5700-00A2E	Development Board for COM-Express

Packing List

Part No.	Description	Quantity
	SOM-6760 CPU Module	1
	Utility CD	1
	Heatspreader	1